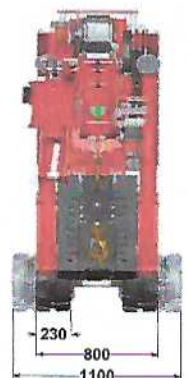
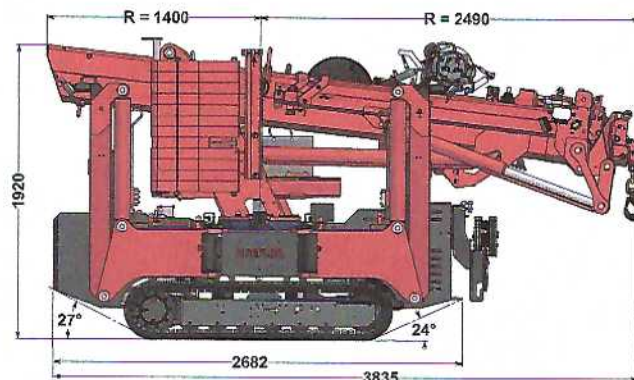
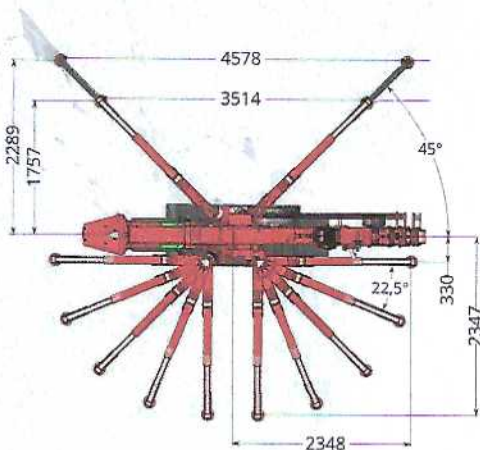
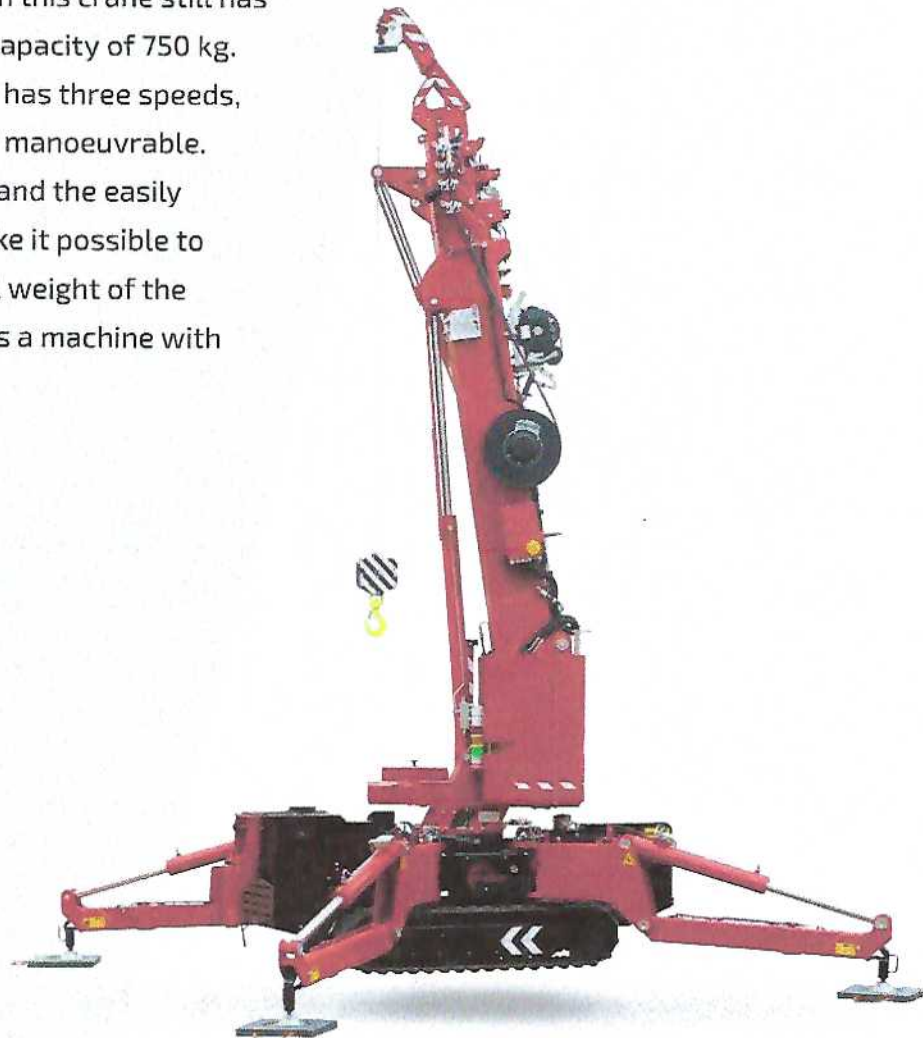


Lift 4000 kg in the Netherlands without a crane permit. You can with our C10 compact crane, making it the perfect choice for heavier work in industry and steel erection. Even at a hoisting height of 21 m this crane still has an enormous hoisting capacity of 750 kg. The C10 compact crane has three speeds, making it exceptionally manoeuvrable. The removable ballast and the easily detachable options make it possible to quickly reduce the total weight of the crane. Simply put, this is a machine with many possibilities.

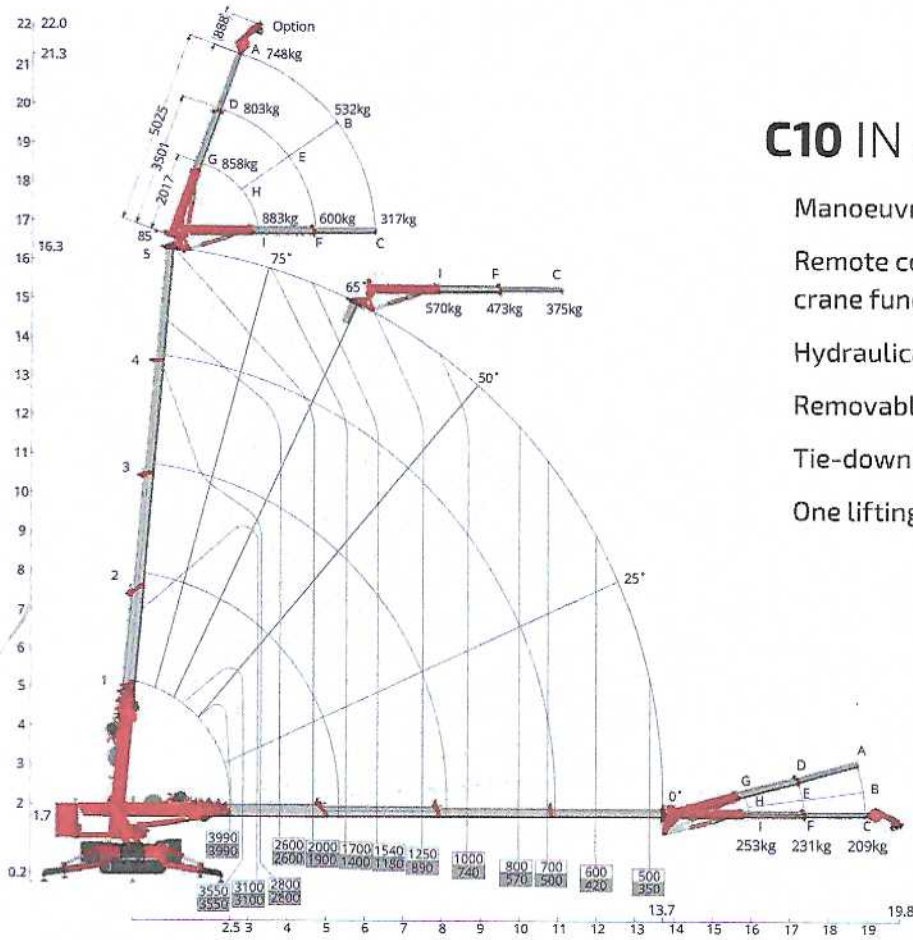


Capacity	4,000 kg
Boom outreach	13.7 m, and 19.8 m with options
Hoisting height	16.3 m, and 22 m with options
Transport dimensions LxWxH	3.9 m x 0.8 m x 1.93 m
Total weight	4,400 kg, and 4,700 kg with options
Boom angle	-5° to 83°
Boom system	Cylinder and chain system
Slewing angle	360°
Driving speed	1st gear: 1.1 km/h 2nd gear: 2.3 km/h 3rd gear: 2.9 km/h
Engine	Yanmar 3-cylinder diesel
Inclination angle, driving	20°
Outrigger pressure	4,500 kg per outrigger
Ground pressure, tracks	0.72 kg/cm <sup>2</sup>
Extendible, removable ballast	1,340 kg
Noise	75 dB



Dimensions including winch and jib	3.14 m x 0.75 m x 1.95 m
Fly jib	5.0 m
Winch	1,000 kg, 2,000 kg and 4,000 kg
Hoisting speed with winch	20.8 m/min
Winch cable	50 m long
Extension section	30° adjustable
Electric motor	400 V / 3 phase
Slewing	unlimited
Crawler	non-marking
Lighting	work light on boom and jib
Speed controller	900 to 1,700 rpm





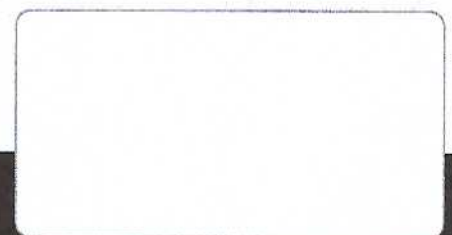
## C10 IN A NUTSHELL

- Manoeuvrable with extreme precision
- Remote control for outrigger, driving and crane functions
- Hydraulically expandable tracks
- Removable and extendible ballast
- Tie-down hooks for trailer
- One lifting point

No rights can be derived from the information stated here.



Hoeflon compact cranes are functional and offer optimal power and reliability. We offer many possibilities and help you come up with solutions.



**HOEFLON**<sup>®</sup>

Hoeflon International B.V.

address: Bellstraat 211, 3771 AH Barneveld, The Netherlands