

PM 58.5 SP



truck mounted cranes

Platinum Series



DESCRIPTION TECHNICAL FEATURES

Up to 9 hydraulic extensions and with horizontal maximum extension up to 23,55 m, PM 58.5 SP series ensure high performance, maximum efficiency and high level of reliability.

Articulation with the exclusive PM link system, increase the crane efficiency. The crane can operate with same performance and constant outreach, in every vertical configuration of the crane.

The New Power Tronic Advance Plus and the new radio remote control with display ensure extreme precision and high safety. Maximum stability thanks to XL outriggers (6,6 m) or XXL (8 m). 15° negative angle on secondary boom to work in narrow spaces with maximum flexibility. Thanks to continuous rotation it is possible to work with maximum productivity and time saving.

STANDARD EQUIPMENT

POWER TRONIC ADVANCES PLUS

Maximum crane performance, maximum safety in every working condition

PROPORTIONAL HYDRAULIC CONTROL VALVE BLOCK COMPENSATED

HYDRAULIC OUTRIGGER BOOMS

EXTENSION SEQUENCE BOOMS

CONTINUOUS ROTATION SYSTEM

DOUBLE LINKAGE

MULTIFUNCTION RADIO REMOTE CONTROL



Power Tronic Advanced Plus



Remote controlled outriggers and MCS system



Continuous rotation system

PM 58.5 SP



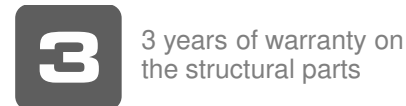
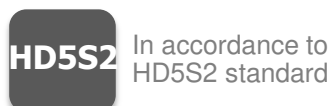
OPTIONAL

JIB	HYDRAULIC WINCH ON CRANE
HOSE REEL/HOSE TRAYS	HYDRAULIC WINCH ON JIB
180° HYDRAULIC SWING UP OUTRIGGERS	

EQUIPMENTS SUMMARY

EQUIPMENTS	Standard	Optional
Continuous slewing	<input type="radio"/>	
Double linkage	<input type="radio"/>	
Hydraulic outrigger booms	<input type="radio"/>	
Remote controlled stabilizers (MCS System)*		<input type="radio"/>
180° Hydraulic swing up outriggers		<input type="radio"/>
Extension sequence booms	<input type="radio"/>	
Oil cooler	<input type="radio"/>	
Proportional hydraulic control valve block compensated	<input type="radio"/>	
Radio remote control with display	<input type="radio"/>	
Regenerative valve	<input type="radio"/>	
Jib		<input type="radio"/>
Hydraulic winch on crane		<input type="radio"/>
Hydraulic winch on jib		<input type="radio"/>
Hose reel/hose trays		<input type="radio"/>
Stability Power System*		<input type="radio"/>
Safety Kit for outriggers*	<input type="radio"/>	
Ball-joint outrigger plates *		<input type="radio"/>
4 metres alarm sensor with control panel in cab *		<input type="radio"/>
Slewing limiter	<input type="radio"/>	
LMU Device: control system for manual extensions*	<input type="radio"/>	
LED work lamp		<input type="radio"/>
Stand up control with only for radio conselle *		<input type="radio"/>

* Compulsory for totally CE configurations



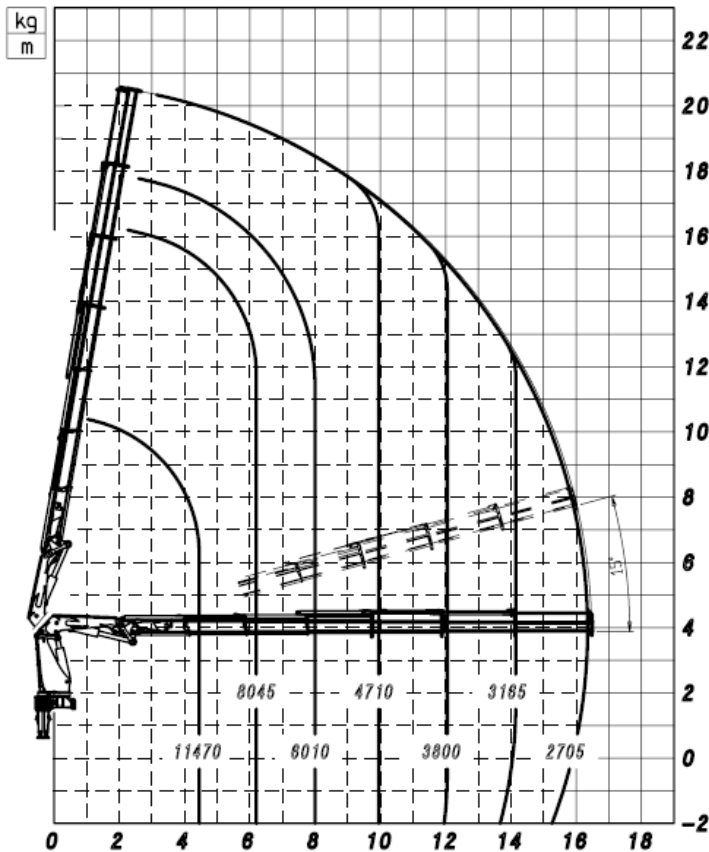
PM 58.5 SP



truck mounted cranes

PM 58526 SP

Platinum Series



TECHNICAL DATA PM 58526 SP

Maximum lifting moment	tm 51
Hydraulic outreach	
Horizontal	m 16,50
Vertical	m 20,70
Hydraulic system	
Max. oil flow	l/min 80 ÷ 100
Max. pressure	Mpa 33,5
Oil tank capacity	l 200
Slewing system	
Slewing angle	Cont.
Slewing torque	kNm 51
Max. working heel	%(°) 8,7(5)
Standard crane weight	
Empty oil tank	Kg 5700

TRUCKING CRANE COMBINATION

PTT/GVV	58,5	4	4 outriggers
26,0 TON	4		
32,0 TON	4		

GVW: Gross Vehicle Weight

TECHNICAL DATA, DESCRIPTIONS AND ILLUSTRATIONS ARE MERELY INDICATIVE AND NOT BINDING. PM GROUP RESERVE THE RIGHT TO UPDATE THEM WITHOUT NOTICE.

PM 58.5 SP

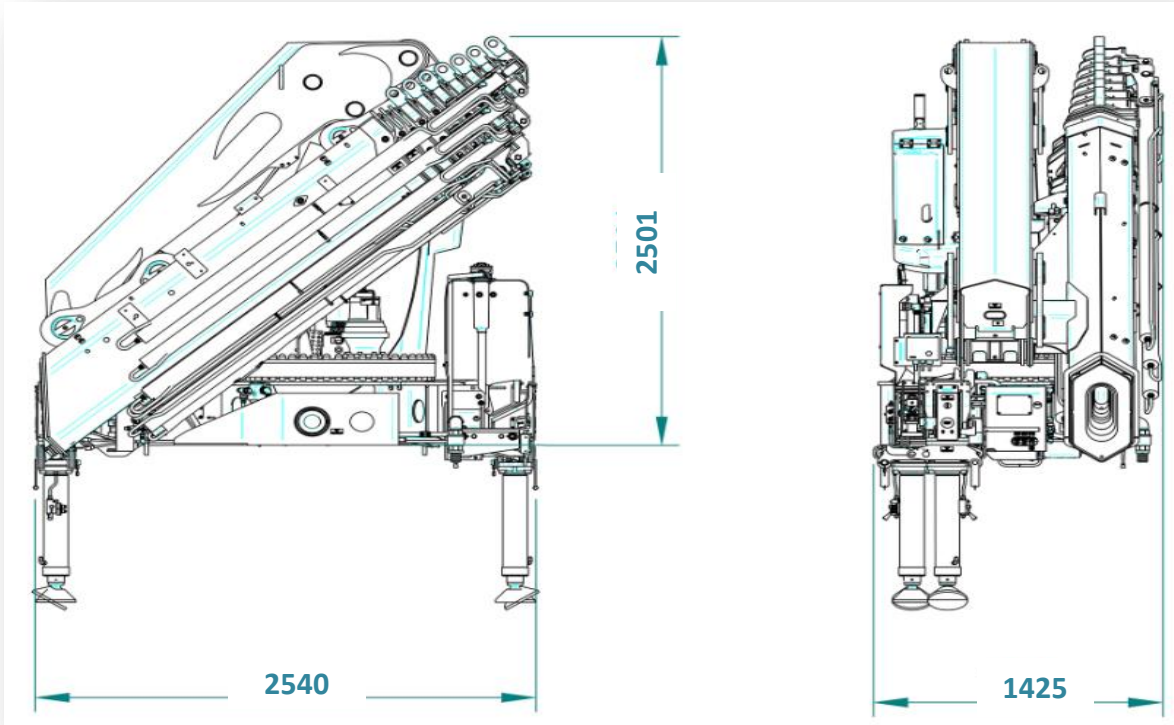


truck mounted cranes

DIMENSIONS

Standard crane

Platinum Series



ORIGINAL PM PARTS



Variable pump



Fixed pump



Supplementary stabilizers with integrated Stability Power System device

ACCESSORIES*



Pallet forks



Buckets



Rotator

* The installation is to be verify in relation to crane and truck configuration